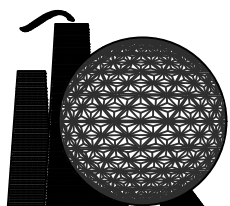


THESE DETAILS ARE THE EXCLUSIVE PROPERTY OF JOHN W. McDOUGALL Co., Inc. AND FOR OUR EXCLUSIVE USE

## SERIES 608- Pressure Equalized Rain Screen System

### Typ. Horizontal Joint Detail

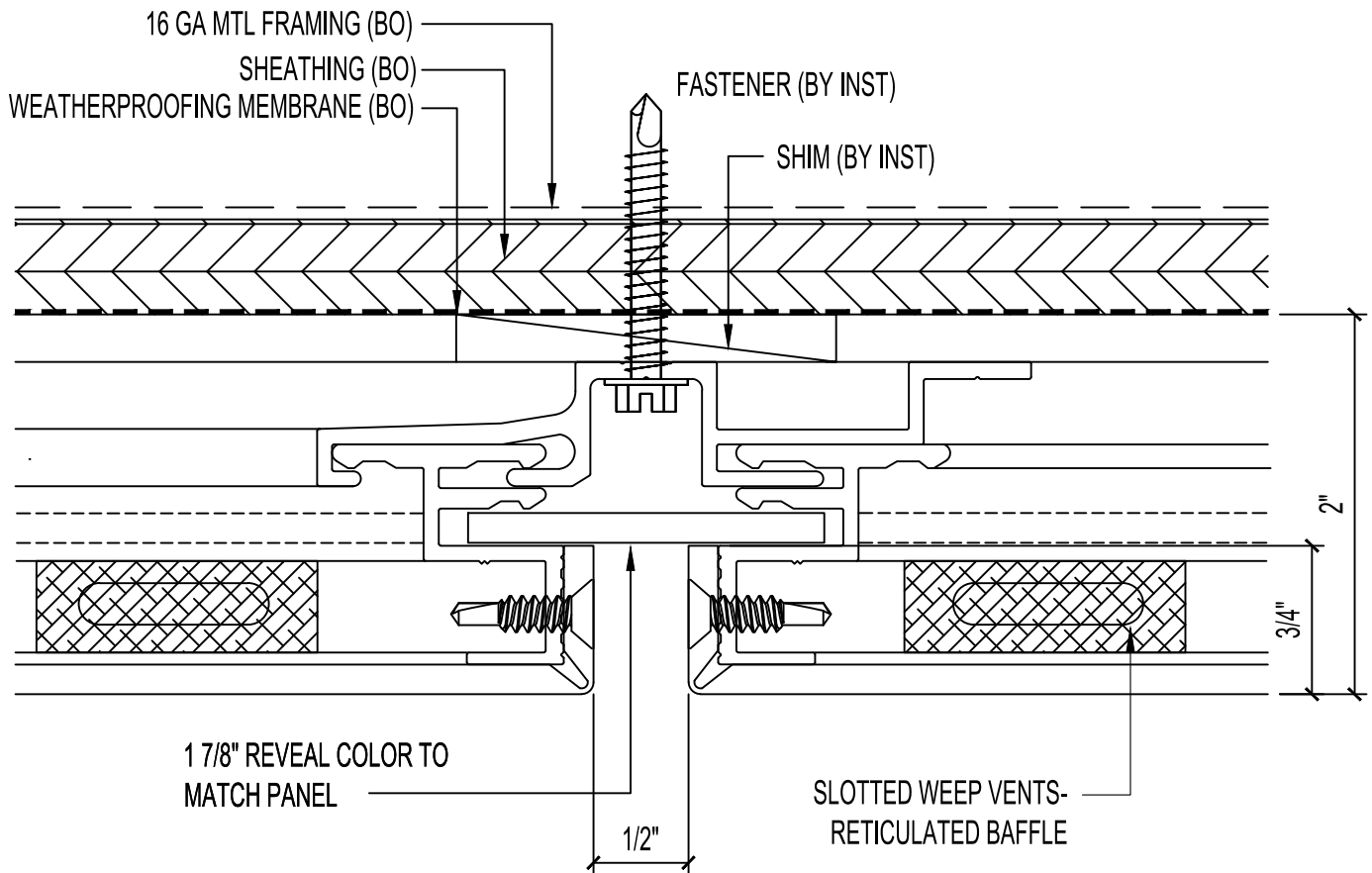


**JOHN W. McDOUGALL CO., INC.**

ARCHITECTURAL FACADE SOLUTIONS

3731 Amy Lynn Drive Nashville - TN 37218

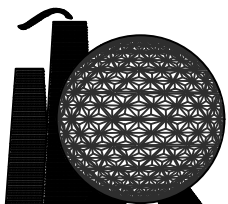
Phone:(615) 321-3900 Fax:(615) 329-9069 Website: <http://www.jwmcd.com>



THESE DETAILS ARE THE EXCLUSIVE PROPERTY OF JOHN W. McDOUGALL Co., Inc. AND FOR OUR EXCLUSIVE USE

## **SERIES 608- Pressure Equalized Rain Screen System**

### **Typ. Vertical Joint Detail**



# **JOHN W. McDOUGALL CO., INC.**

**ARCHITECTURAL FACADE SOLUTIONS**

3731 Amy Lynn Drive Nashville - TN 37218

Phone:(615) 321-3900 Fax:(615) 329-9069 Website: <http://www.jwmc.com>